

Push-pull valve(3/2way)

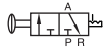


3L Series

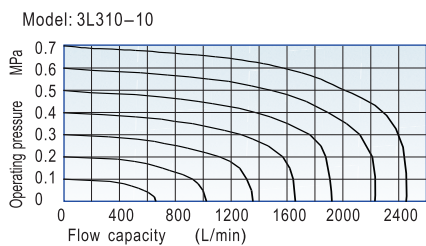
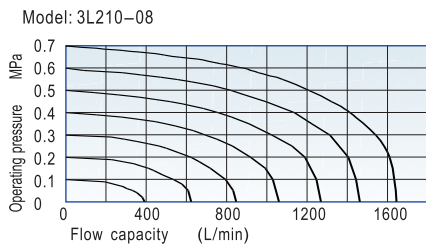
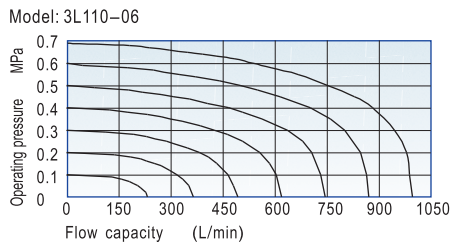


3L

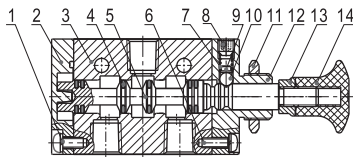
Symbol



Flow chart



Inner structure



No.	Item	No.	Item	No.	Item
1	Round head screw	6	Round head screw	11	Hexagon nut
2	Bottom cover	7	Spring	12	Top cover
3	Body	8	Stop screw	13	Safety nut
4	O-ring	9	Spring base	14	Hand grip
5	Spool	10	Steel ball		

Specification

Model	3L110-06	3L210-06	3L210-08	3L310-08	3L310-10
Fluid	Air (to be filtered by 40 μm filter element)				
Operating	Manual control direct acting type				
Port size ^①	1/8"		1/4"		3/8"
Orifice size	12.0mm ² (Cv=0.67)	14.0mm ² (Cv=0.78)	16.0mm ² (Cv=0.89)	25.0mm ² (Cv=1.39)	30.0mm ² (Cv=1.67)
Valve type	3/2 Way				
Lubrication ^②	Not required				
Pressure range	0~0.8MPa(0~116psi)				
Proof pressure	1.5MPa(215psi)				
Temperature	-20~70°C				
Material body	Aluminum alloy				

① PT thread, NPT thread and G thread are available.

② Once lubricated air is used, continue with same medium to optimise valve life span. It is suggested to use ISO VG32 lubricant or the oil with the same grade.

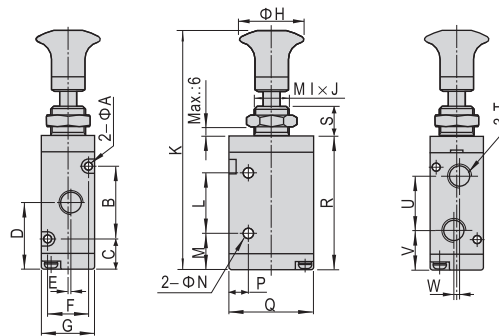
Ordering code

3L 2 10 08 P

- Model**: 3L: 3 port 2 position push-pull valve
- Code**:
 - 1: 100 Series
 - 2: 200 Series
 - 3: 300 Series
- Valve type**:
 - 10: 2 position
- Thread type**:
 - P: PT
 - T: NPT
 - G: G
- Port size**:

Code	Port size
100 Series	06: 1/8"
200 Series	06: 1/8"
	08: 1/4"
300 Series	08: 1/4"
	10: 3/8"

Dimensions



Item\Type	3L110	3L210	3L310	Item\Type	3L110	3L210	3L310
A	06	06	08	L	21	25	30
B	19	30	30	M	12.2	15.2	17.5
C	13.2	12.7	12.7	N	3.3	4.3	4.3
D	23.7	27.7	27.7	P	7.5	8	10
E	1	0	1.5	Q	27	35	40
F	13	17	17	R	47	57	65.8
G	18	22	22	S	10	10	10
H	22	22	22	T	1/8"	1/8"	1/4"
I	12	14	14	U	16	22.5	24
J	1.0	0.75	1.0	V	14.7	16.5	20.5
K	79	90	90	W	2	0	0