

# Preparation unit—Filter



## GF Series

### Specification

Model	GF200-06	GF200-08	GF300-08	GF300-10	GF300-15	GF400-10	GF400-15	GF600-20	GF600-25
Fluid	Air								
Port size	1/8"	1/4"	1/4"	3/8"	1/2"	3/8"	1/2"	3/4"	1"
Filtering grade	40 μ m or 5 μ m								
Pressure range	Semi-auto and automatic drain: 0.15~0.9MPa(20~130psi); Manual drain: 0.05~0.9MPa(7~130psi)								
Proof pressure	1.5MPa(215psi)								
Temperature range	-20~70°C								
Capacity of drain bowl	10CC		40CC		80CC		230CC		
Weight	135g		360g		680g		1440g		

### Ordering code

GF200 08 M □ W P

#### Model

GF200:	G200 Series Filter
GF300:	G300 Series Filter
GF400:	G400 Series Filter
GF600:	G600 Series Filter

#### Thread type

P:	PT
T:	N
G:	G

#### Filtering grade

Blank:	40 μ m
W:	5 μ m

#### Accessories

Blank:	Bracket
J:	No bracket(standard configuration)

#### Drain type

Drain type	Addable product's series
Blank: Semi-auto drain	GF200, GF300
M: Manual drain	GF400, GF600
A: Automatic drain	GF300, GF400, GF600

#### Port size

Model	Port size
GF200	06: 1/8"
	08: 1/4"
GF300	08: 1/4"
	10: 3/8"
GF400	15: 1/2"
	15: 1/2"
GF600	20: 3/4"
	25: 1"

### Symbol

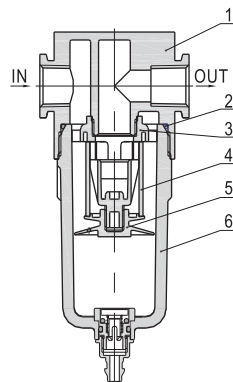


### Product feature

1. Unique diversion structure spins the air flowing through to effectively separate the liquid from the air and reliably filter the solid grain.
2. It has low pressure loss, high efficiency in separating water and large drain bowl capacity.
3. Filtering grade includes 5 μ m and 40 μ m (Optional).
4. Three drain types are available: manual drain, semi-auto drain and automatic drain.
5. The bracket can be selected for installation.

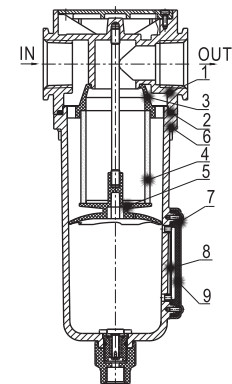
### Inner structure and Material of major parts

#### GF200



Semi-Auto drain

#### GF600



Semi-Auto drain

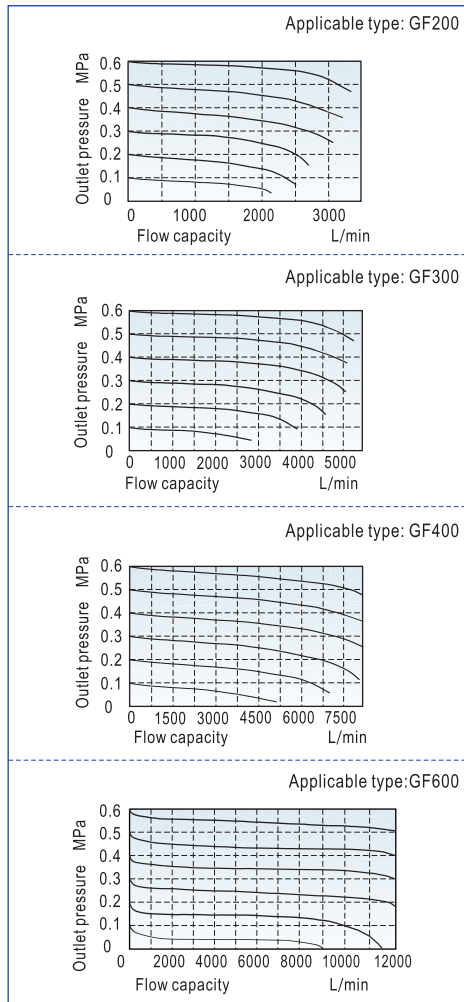
No.	Item	Material
1	Body	Aluminum alloy
2	O-ring	NBR
3	Air guide	High viscosity POM
4	Filter core	GF600: Agglomerated by bronze grain Others: 40 μ m: Agglomerated by bronze grain 5 μ m: Makrolon fiber
5	Umbrella baffle	High viscosity POM
6	Drain bowl	Aluminum alloy(GF600)\PC(Others)
7	Liquid meter cover	SPCC
8	Liquid meter seal	VITON
9	Liquid meter inside cover	PC



# Preparation unit—Filter

## GF Series

### Flow chart

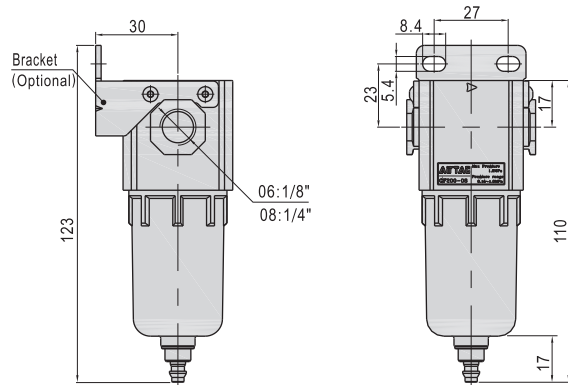


### Selection of drain mode

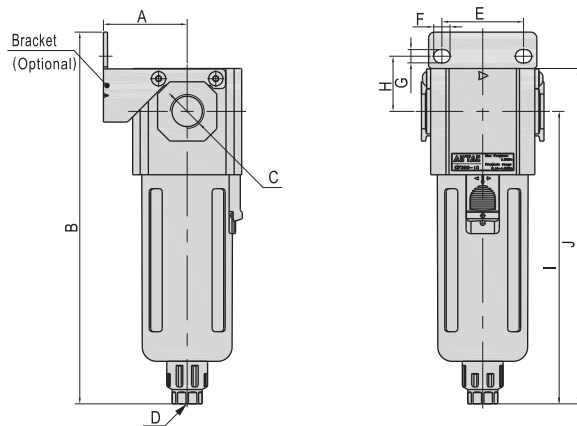
The drain modes of different series are different.  
Please refer to P141 for details.

### Dimensions

#### GF200

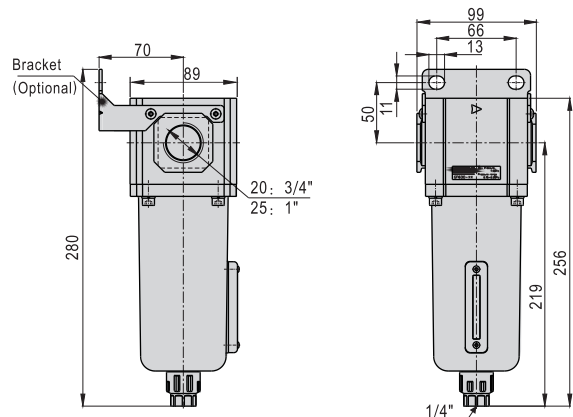


#### GF300, GF400



Model\Item	A	B	C	D	E	F	G	H	I	J
GF300-08	41	182	1/4"	1/8"	40	8	6.5	27	143	164
GF300-10	41	182	3/8"	1/8"	40	8	6.5	27	143	164
GF300-15	41	182	1/2"	1/8"	40	8	6.5	27	143	164
GF400-10	50	208	3/8"	1/4"	55	11	8.6	33.5	166.5	191.5
GF400-15	50	208	1/2"	1/4"	55	11	8.6	33.5	166.5	191.5

#### GF600



GF